

SB252



VIBRATION ANALYSIS HARDWARE

Single Axis Vibration Switch Box with Continuous Output BNCs,
Stainless Steel Enclosure, NEMA 4X (IP66), Sensor Input Options: 6
to 12 Single Output Sensor Inputs

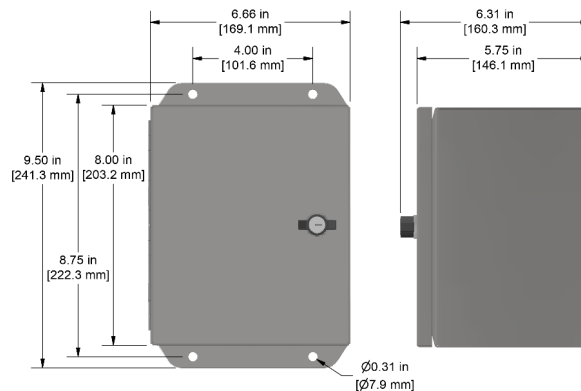


Product Features

Provides a switched output to a data collector, or continuous outputs to a signal recorder or multi-channel analyzer

Internally earth grounded for noise reduction

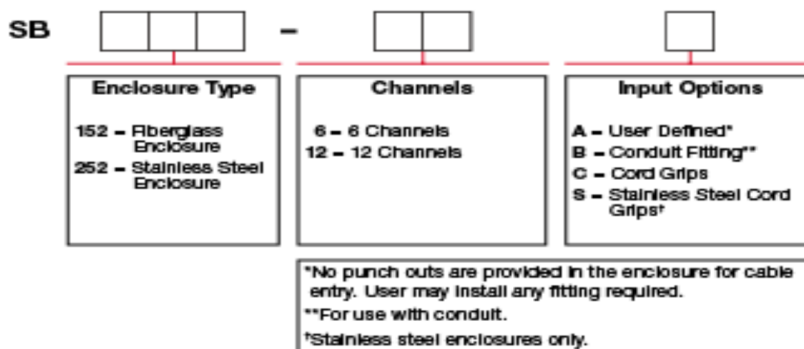
- ▶ Accepts inputs from up to 12 Single Axis Sensors
- ▶ Quick-release input terminal blocks for easy field wiring
- ▶ BNC jacks for multi-channel output



Specifications

Temperature Range	-58° to 180°F (-58 to 82°C)
Enclosure Material	Stainless Steel
Inputs	Terminal Block 3 Inputs per Channel (+ - Shield)
Outputs	BNC Jack and 2 Pin MIL
Continuous Output	12 BNC Jacks, Electrically Isolated
Channel Options	6 - 12 Channels
Rating	NEMA 4X
Door Closure	Twist Latch
Dimensions	6.69 x 8.31 x 4.21 in (170 x 211 x 107 mm)
Resistance	Resistant to Hose Directed Fluid and Corrosion

Ordering Information



Backed by our Unconditional Lifetime Warranty

www.ctconline.com | sales@ctconline.com | 585-924-5900