

JB330

iBOX Triaxial Input & Output Vibration Switch Box, Sloped Top Enclosure, NEMA 4X (IP66) Rated, Sensor Input Options: 4 to 12 Triaxial Sensors



VIBRATION ANALYSIS HARDWARE

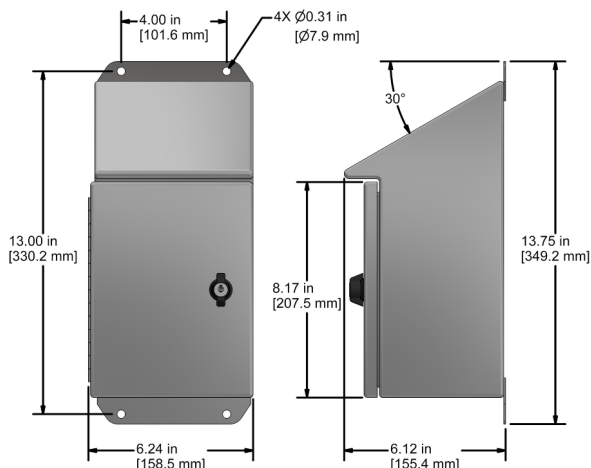


Product Features

Fully featured vibration junction box with IEPE sensor condition indicator lights, and convenient interface with fold-forward panel for easy wiring.

Internally earth grounded for noise reduction

- ▶ Accepts up to 12 triaxial sensor inputs for a maximum of 36 channels of measurement
- ▶ Includes an IEPE bias indicator light to identify when data is to be collected or to show open and short circuit conditions
- ▶ Flip down panel allows for convenient wiring to terminal blocks



Specifications

Temperature Range	-58 to 180°F (-50 to 82°C)
Enclosure Material	Stainless Steel
Inputs	A, B, C, D, Shield
Outputs	3x BNC Jack and 4 Pin 'J'
Continuous Output	Multi-Pin connector for interface with online systems (requires JB933-1A)
Channel Options	4, 6, 8, 10, 12
Rating	NEMA 4X (IP66)
Door Closure	Twist Lock
Dimensions	6.24 x 13.75 x 6.12 in (159 x 349 x 155 mm)
Cord Grips	Optional
Switch	4 Pole
Bias Indicator	3 Channel
Resistance	Resistant to Hose Directed Fluid and Corrosion

Ordering Information

JB	□ □ □ □	-	□ □ □ □	□
Enclosure Type 130 = Triaxial Fiberglass Enclosure 230 = Triaxial Stainless Steel Enclosure 330 = Triaxial Stainless Steel Enclosure, Sloped Top	Channels 4 = 4 Channels 6 = 6 Channels 8 = 8 Channels 10 = 10 Channels 12 = 12 Channels	Input Options (Spring Cage Terminal Blocks) A = User Defined with Spring Cage Terminal Blocks* B = Conduit Fitting with Spring Cage Terminal Blocks** C = Nylon Cord Grips with Spring Cage Terminal Blocks N = Nickel-Plated Brass Cord Grips with Spring Cage Terminal Blocks† S = Stainless Steel Cord Grips with Spring Cage Terminal Blocks*	Input Options (Screw Terminal Blocks) G = User Defined with Screw Terminal Blocks* H = Conduit Fitting with Screw Terminal Blocks** I = Nylon Cord Grips with Screw Terminal Blocks K = Stainless Steel Cord Grips with Screw Terminal Blocks† L = Nickel-Plated Brass Cord Grips with Screw Terminal Blocks*	
<small>*No punch cuts are provided in the enclosure for cable entry. User may install any fittings required. **For use with conduit. †Stainless Steel enclosures only.</small>				

Backed by our Unconditional Lifetime Warranty

www.ctconline.com | sales@ctconline.com | 585-924-5900