

# MH140-1A



VIBRATION ANALYSIS HARDWARE

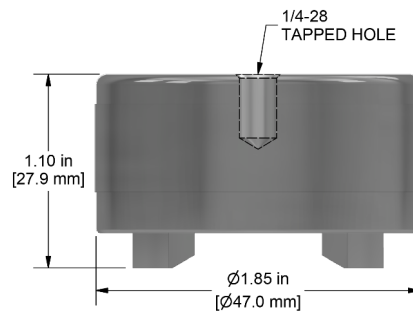
Ultra Strong Multipurpose 2 Rail Magnet Mounting Base with 1/4-28 Blind Tapped Hole, 120 lbs. Pull Strength, 1.85" (46.99 mm) OD, 1.1" (27.94 mm) Height



## Product Features

2 rail mounting system allows measurements on flat and curved surfaces

- ▶ Durable 303 Stainless Steel case and mounting hole
- ▶ High strength Neodymium Iron Boron magnet optimizes pull strength and performance
- ▶ Magnet Leg Rust Prevention Tips:
  - >Store the product in original packaging until it needs to be installed
  - >Ensure the steel is coated or oiled to prevent rusting



## Specifications

Max Temperature	266°F (130°C)
Case Material	303 Stainless Steel
Magnet Material	Neodymium Iron Boron
Dimensions	1.85" (47 mm) OD, 1.10" (28 mm) Height
Pull Strength	120 lbs. (54 kg)
Sensor Mounting	1/4-28 Mounting Hole

## Chemical Compatibilities for Reference

- ▶ Gasoline - A
- ▶ Methanol - A
- ▶ Lubricants - A

## Compatibility

- ▶ Compatible with all sensors with 1/4"-28 mounting stud or bolt
- ▶ Conversion mounting studs sold separately

Stock Product

Backed by our Unconditional Lifetime Warranty

[www.ctconline.com](http://www.ctconline.com) | [sales@ctconline.com](mailto:sales@ctconline.com) | 585-924-5900