

# JB320

iBOX Dual Input & Output Sloped Top Vibration Switch Box,  
Stainless Steel Enclosure, NEMA 4X (IP66) Rated, Sensor Input  
Options: 4 to 12 Dual Output Sensors



VIBRATION ANALYSIS HARDWARE

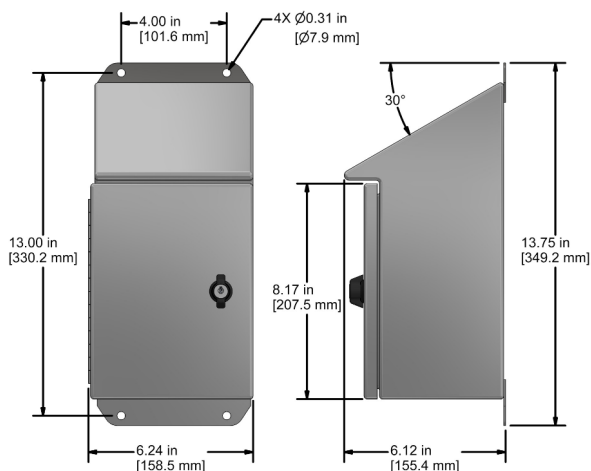


## Product Features

Fully featured vibration junction box with IEPE sensor condition indicator lights, and convenient interface with fold-forward panel for easy wiring.

Includes an IEPE bias indicator light to identify when data is to be collected or to show open and short circuit conditions

- ▶ Accepts up to 12 dual output sensor inputs for a maximum of 24 channels of measurement
- ▶ Includes an IEPE bias indicator light to identify when data is to be collected or to show open and short circuit conditions
- ▶ Flip down panel allows for convenient wiring to terminal blocks



## Specifications

Temperature Range	-58°F (-50°C) to 180°F (82°C)
Enclosure Material	Stainless Steel
Inputs	A, B, C, Shield
Outputs	2x BNC Jack and 3 Pin MIL
Continuous Output	Multi-pin connector for interface with online systems (optional, requires JB931-3A)
Channel Options	4, 6, 8, 10, 12
Rating	Nema 4X (IP66)
Door Closure	Twist Lock
Dimensions	6.24 x 13.75 x 6.12 in (159 x 349 x 155 mm)
Cord Grips	Optional
Switch	3 Pole
Bias Indicator	1 Channel (A-Signal)
Resistance	Resistant to Hose Directed Fluid and Corrosion

## Ordering Information

JB    -

Enclosure Type	Channels	Input Options	Input Options
<b>120</b> = Dual Channel Fiberglass Enclosure <b>220</b> = Dual Channel Stainless Steel Enclosure <b>320</b> = Dual Channel Stainless Steel Enclosure, Sloped Top	<b>4</b> = 4 Channels <b>6</b> = 6 Channels <b>8</b> = 8 Channels <b>10</b> = 10 Channels <b>12</b> = 12 Channels	<b>A</b> = User Defined with Spring Cage Terminal Blocks* <b>B</b> = Conduit Fitting with Spring Cage Terminal Blocks** <b>C</b> = Nylon Cord Grips with Spring Cage Terminal Blocks <b>N</b> = Nickel-Plated Brass Cord Grips with Spring Cage Terminal Blocks* <b>S</b> = Stainless Steel Cord Grips with Spring Cage Terminal Blocks*	<b>G</b> = User Defined with Screw Terminal Blocks* <b>H</b> = Conduit Fitting with Screw Terminal Blocks** <b>I</b> = Nylon Cord Grips with Screw Terminal Blocks <b>K</b> = Stainless Steel Cord Grips with Screw Terminal Blocks* <b>N</b> = Nickel-Plated Brass Cord Grips with Screw Terminal Blocks*

\*No punch cuts are provided in the enclosure for cable entry. User may install any fittings required.  
 \*\*For use with conduit.  
 \*Stainless Steel enclosures only.

Backed by our Unconditional Lifetime Warranty

www.ctconline.com | sales@ctconline.com | 585-974-5900