

MH149-1A



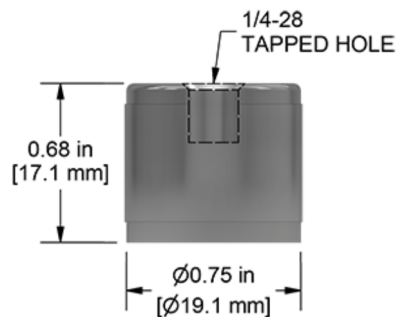
VIBRATION ANALYSIS HARDWARE

Flat Surface Magnet Mounting Base with 1/4-28 Tapped Hole, 25 lbs. Pull Strength, 0.75" (19.05 mm) OD, 0.68" (17.27 mm) Height



Product Features

- ▶ Durable 17-4 Stainless Steel case and mounting hole
- ▶ High Strength Neodymium Iron Boron magnet optimizes pull strength and performance
- ▶ Maximum frequency response up to 10 kHz when paired with MH133-1A mounting target



Specifications

| | |
|-----------------|--|
| Max Temperature | 266°F (130°C) |
| Case Material | 17-4 Stainless Steel |
| Magnet Material | Neodymium Iron Boron |
| Dimensions | 0.74" (18.8 mm) OD, .68" (17 mm) Height |
| Pull Strength | 25 lbs. (11 kg) |
| Sensor Mounting | 1/4-28 Mounting Hole |

Chemical Compatibilities for Reference

- ▶ Gasoline - A
- ▶ Methanol - A
- ▶ Lubricants - A

Compatibility

- ▶ Compatible with all sensors with 1/4"-28 mounting stud or bolt
- ▶ Conversion mounting studs sold separately

Stock Product

Backed by our Unconditional Lifetime Warranty

www.ctconline.com | sales@ctconline.com | 585-924-5900