

MH137-1A



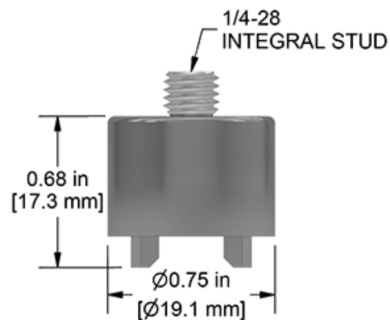
VIBRATION ANALYSIS HARDWARE

Multipurpose 2 Rail Magnet Mounting Base with 1/4-28 Integral Mounting Stud, 15 lbs. Pull Strength, 0.75" (19.05 mm) OD, 0.68" (17.3 mm) Height



Product Features

- ▶ Durable 303 Stainless Steel case and mounting stud
- ▶ High strength Neodymium Iron Boron magnet optimizes pull strength and performance
- ▶ 2 rail mounting system allows measurements on flat and curved surfaces



Specifications

Max Temperature	266°F (130°C)
Case Material	303 Stainless Steel
Magnet Material	Neodymium Iron Boron
Dimensions	.75" (19 mm) OD, .68" (17 mm) Height
Pull Strength	15 lbs. (6,8 kg)
Sensor Mounting	1/4-28 Integral Stud

Chemical Compatibilities for Reference

- ▶ Gasoline - A
- ▶ Methanol - A
- ▶ Lubricants - A

Compatibility

- ▶ Compatible with all top exit sensors with 1/4"-28 mounting holes

Stock Product

Backed by our Unconditional Lifetime Warranty

www.ctconline.com | sales@ctconline.com | 585-924-5900