

# SSB6000



VIBRATION ANALYSIS HARDWARE

Single Axis, Sloped Top, Modular Vibration Switch Box, Stainless Steel Enclosure, NEMA 4X (IP66) Rated, Includes SSB-MOD(X) for 1 to 12 Single Output Sensor Inputs

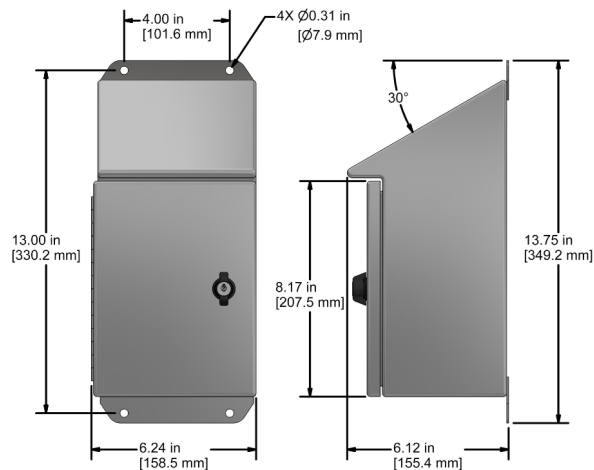


## Product Features

Enclosures with DIN rail mountable modules for multiple inputs and a switched output

Internally earth grounded for noise reduction

- ▶ Sloped top prevents dust and dirt build-up
- ▶ Provides a switched output from remotely installed sensors to a data collector through a BNC and a 2 Pin MIL spec connector



## Specifications

Temperature Range	-58° to 180°F (-50° to 82°C)
Enclosure Material	Stainless Steel
Inputs	Terminal Block 3 Inputs per Channel (+ - Shield)
Outputs	BNC Jack and 2 Pin MIL
Continuous Output	Multi-pin connector for interface with online systems (optional) Requires JB907-3A
Channel Options	4 - 12 Channels
Rating	NEMA 4X
Door Closure	Twist Lock
Dimensions	6.24 x 13.75 x 6.12 in (159 x 349 x 155 mm)
Resistance	Resistant to Hose Directed Fluid and Corrosion

## Ordering Information

SSB     -

Enclosure Type	Channels	Input Options
6000 - Stainless Steel Enclosure with Sloped Top	4 - 4 Channels 6 - 6 Channels 8 - 8 Channels 10 - 10 Channels 12 - 12 Channels	A - User Defined* B - Conduit Fitting** C - Cord Grips S - Stainless Steel Cord Grips*

\*No punch outs are provided in the enclosure for cable entry. User may install any fitting required.  
 \*\*For use with conduit.  
 \*Stainless steel enclosures only.

Backed by our Unconditional Lifetime Warranty

[www.ctconline.com](http://www.ctconline.com) | [sales@ctconline.com](mailto:sales@ctconline.com) | 585-924-5900