

MH122-1A



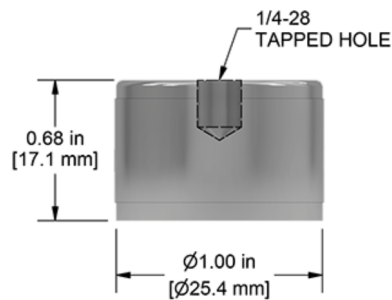
VIBRATION ANALYSIS HARDWARE

Flat Surface Magnet Mounting Base with 1/4-28 Threaded Blind Tapped Hole, 40 lbs. Pull Strength, 1" (25.4 mm) OD, 0.68" (17.27 mm) Height



Product Features

- ▶ Durable 17-4 Stainless Steel case
- ▶ High Strength Neodymium Iron Boron magnet optimizes pull strength and performance
- ▶ Maximum frequency response up to 10 kHz when paired with MH133-1A mounting target



Specifications

Max Temperature	266°F (130°C)
Case Material	17-4 Stainless Steel
Magnet Material	Neodymium Iron Boron
Dimensions	1.00" (25 mm) OD, .68" (17 mm) Height
Pull Strength	40 lbs. (18 kg)
Sensor Mounting	1/4-28 Mounting Hole

Chemical Compatibilities for Reference

- ▶ Gasoline - A
- ▶ Methanol - A
- ▶ Lubricants - A

Compatibility

- ▶ Compatible with all sensors with 1/4"-28 mounting stud or bolt
- ▶ Conversion mounting studs sold separately

Stock Product

Backed by our Unconditional Lifetime Warranty

www.ctconline.com | sales@ctconline.com | 585-924-5900