

# DSB6000



VIBRATION ANALYSIS HARDWARE

Dual Input & Output, Sloped Top, Modular Vibration Switch Box, Stainless Steel Enclosure, NEMA 4X (IP66) Rated, Includes DSB-MOD(X) 1 to 8 Dual Output Sensor Input Switch Module

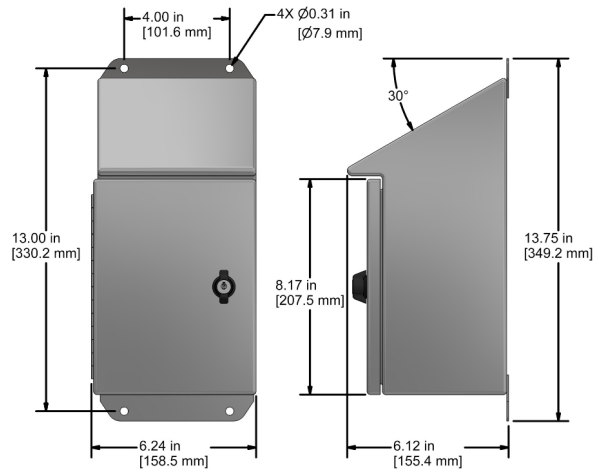


## Product Features

Enclosure with DIN rail mountable modules for multiple dual inputs and switched outputs

Internally earth grounded for noise reduction

- ▶ Provides a switched output from up to 8 remotely installed dual output sensors to a data collector through two BNCs, or 3 pin MIL spec connector
- ▶ Quick-release input terminal blocks



## Specifications

Temperature Range	-58° to 180°F (-50° to 82°C)
Enclosure Material	Stainless Steel
Inputs	Terminal Block, 4 Inputs per Channel (A,B,C,GND)
Outputs	2 BNC jacks & 3 Pin Connector
Continuous Output	Multi-pin connector for interface with online systems (optional) Requires JB931-3A
Channel Options	4 - 8 Channels
Rating	NEMA 4X
Door Closure	Twist Lock
Dimensions	6.24 x 13.75 x 6.12 in (159 x 349 x 155 mm)
Resistance	Resistant to Hose Directed Fluid and Corrosion

## Ordering Information

DSB     -

Enclosure Type	Channels	Input Options
6000 - Stainless Steel Enclosure with Sloped Top	4 - 4 Channels 6 - 6 Channels 8 - 8 Channels	A - User Defined* B - Conduit Fitting** C - Cord Grips S - Stainless Steel Cord Grips*

\*No punch outs are provided in the enclosure for cable entry. User may install any fitting required.  
\*\*For use with conduit.  
\*Stainless Steel enclosures only.

Backed by our Unconditional Lifetime Warranty

[www.ctconline.com](http://www.ctconline.com) | [sales@ctconline.com](mailto:sales@ctconline.com) | 585-924-5900