

SSB-MOD12

Output Switch Module

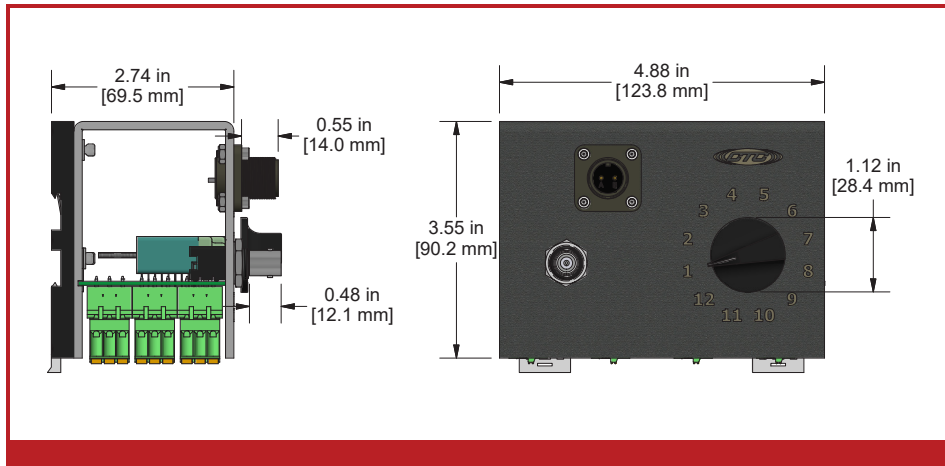


Product Features

Provides a switched output from remotely installed sensors to a data collector through a BNC and a 2 Pin MIL spec connector

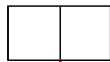
Accepts input from: Accelerometers, Proximity probes, Tachometers, Temperature probes

Quick-release input terminal blocks

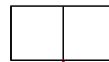


Ordering Information

SSB-MOD



-



Channels

12 = 12 Channels

Optional Output

Blank = None

CO = Continuous Output Option

Backed by our Unconditional Lifetime Warranty

www.ctconline.com | sales@ctconline.com | 585-924-5900