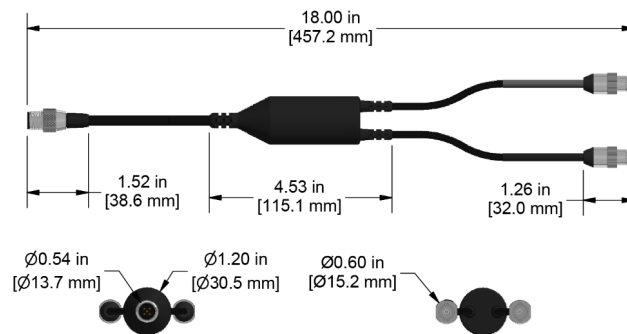


CMX2262-E



VIBRATION ANALYSIS HARDWARE

Emerson 2140 Compatible, 5-pin M12 Connector to Dual BNC "E" Jacks, 17" (43 cm) Overall Length, Dual Channel Acceleration Input, Channel "C" Gray, Channel "D" Black



Specification

Jacket Material	Polyurethane
Cable Length	17" (43 cm) ± 1 " (2.5 cm)
Connectors	5 Pin M12, Dual BNC Jacks
Input	Dual Acceleration IEPE
Cable Diameter	0.250"
Conductor Cable	4 conductor

Compatible Data Collectors

CSI2140

Ratings & Certifications

RoHS

Built to Order

Backed by our Unconditional Lifetime Warranty

www.ctconline.com | sales@ctconline.com | 585-924-5900