

# SSB1002 - SSB1003



VIBRATION ANALYSIS HARDWARE

Single Axis Modular Vibration Switch Box, Fiberglass Enclosure, NEMA 4X (IP66) Rated, Includes up to 4 SSB-MOD(X) Switch Modules for 12 to 48 Single Output Sensor Inputs

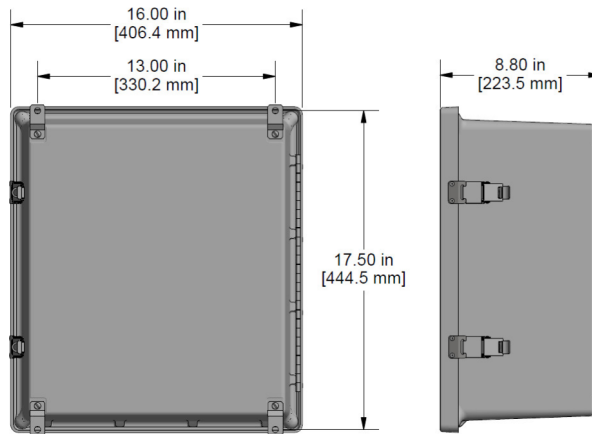


## Product Features

Enclosure with DIN Rail Mountable Modules for Multiple Inputs and a Switched Output

Internally earth grounded for noise reduction

- ▶ Provides a switched output from remotely installed sensors to a data collector through a BNC and 2 Pin MIL spec connector
- ▶ Accepts inputs from Sensors, Proximity Probes, & Temperature Probes
- ▶ Quick-release input terminal blocks



## Specifications

Temperature Range	-58°F (-50°C) to 180°F (82°C)
Enclosure Material	Fiberglass
Inputs	Terminal Block 3 Inputs per Channel (+, -, Shield)
Outputs	BNC Jack and 2 Pin MIL
Continuous Output	Multi-pin connector for interface with online systems
Channel Options	12, 24, 36, 48
Rating	NEMA 4X (IP66)
Door Closure	Twist Latch
Dimensions	16.00 x 17.50 x 8.80 in (406 x 445 x 224 mm)
Cord Grips	Optional
Resistance	Resistant to Hose Directed Fluid and Corrosion

## Ordering Information

SSB     -

Enclosure Type	Channels	Input Options
1002 - Fiberglass Enclosure	12 - 12 Channels	A - User Defined*
1003 - Fiberglass Enclosure, Continuous Output	24 - 24 Channels	B - Conduit Fitting**
2002 - Stainless Steel Enclosure	36 - 36 Channels	C - Cord Grips
2003 - Stainless Steel Enclosure, Continuous Output	48 - 48 Channels	S - Stainless Steel Cord Grips†

\*No punch outs are provided in the enclosure for cable entry. User may install any fitting required  
 \*\*For use with conduit.  
 †Stainless Steel enclosure only.

Backed by our Unconditional Lifetime Warranty

[www.ctconline.com](http://www.ctconline.com) | [sales@ctconline.com](mailto:sales@ctconline.com) | 585-924-5900