

SB102 Extended Capacity



VIBRATION ANALYSIS HARDWARE

Single Axis Vibration Switch Box, Fiberglass Enclosure, NEMA 4X (IP66) Rated, Sensor Input Options: 24 to 48 Single Output Sensor Inputs

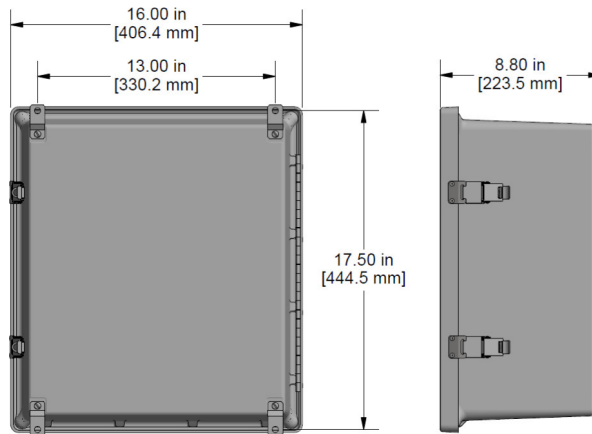


Product Features

Provides a switched output from remotely installed sensors to a data collector through a BNC and a 2 Pin MIL spec connector

Internally earth grounded for noise reduction

- ▶ Accepts inputs from up to 48 Single Axis Sensors
- ▶ Built-in online expansion jacks included
- ▶ Quick-release input terminal blocks for easy field wiring



Specifications

Temperature Range	-58°F (-50°C) to 180°F (82°C)
Enclosure Material	Fiberglass
Inputs	Terminal Block 3 Inputs per Channel (+ - Shield)
Outputs	BNC Jack and 2 Pin MIL
Continuous Output	Multi-pin connector for interface with online systems (requires JB905-1A/2A)
Channel Options	24, 36, 48
Rating	NEMA 4X (IP66)
Door Closure	Snap Latch
Dimensions	16.00 x 17.50 x 8.80 in (406 x 445 x 224 mm)
Cord Grips	Optional
Resistance	Resistant to Hose Directed Fluid and Corrosion

Ordering Information

SB	Enclosure Type	Number of Channels	Input Options
SB	102 - Fiberglass Enclosure 202 - Stainless Steel Enclosure	24 - 24 Channels 36 - 36 Channels 48 - 48 Channel	A - User Defined Entry With Spring Cage Terminal Blocks* B - Conduit Fitting Cable Entry With Spring Cage Terminal Blocks** C - Cord Grip Cable Entry With Spring Cage Terminal Blocks E - BNC Cable Connection With Spring Cage Terminal Blocks S - Stainless Steel Cord Grip Entry With Spring Cage Terminal Blocks* G - User Defined Entry With Screw Terminal Blocks* H - Conduit Fitting Cable Entry With Screw Terminal Blocks** I - Cord Grip Cable Entry With Screw Terminal Blocks J - BNC Cable Connection With Screw Terminal Blocks K - Stainless Steel Cord Grip Entry With Screw Terminal Blocks*

*No punch outs are provided in the enclosure for cable entry. User may install any fitting required.
**For use with rigid body conduit.
*Stainless Steel enclosure only

Backed by our Unconditional Lifetime Warranty

www.ctconline.com | sales@ctconline.com | 585-924-5900