

DSB1002 - DSB1003



VIBRATION ANALYSIS HARDWARE

Dual Input & Output Modular Vibration Switch Box, Fiberglass Enclosure, NEMA 4X (IP66) Rated, Includes up to 4 DSB-MOD(X) Switch Modules for 8, 16, 24, or 32 Dual Output Sensor Inputs

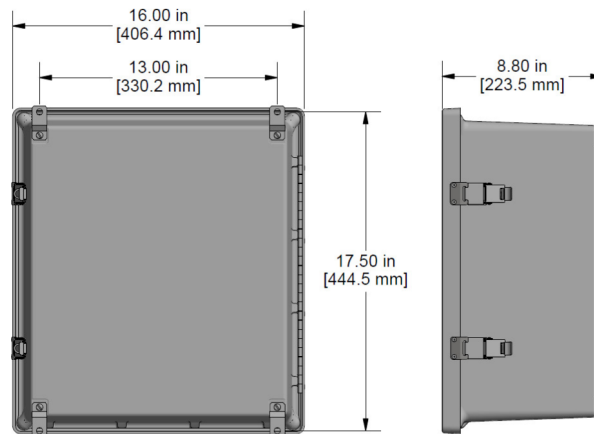


Product Features

Enclosure with DIN Rail Mountable Modules for Multiple Dual Inputs and Switched Outputs

Internally earth grounded for noise reduction

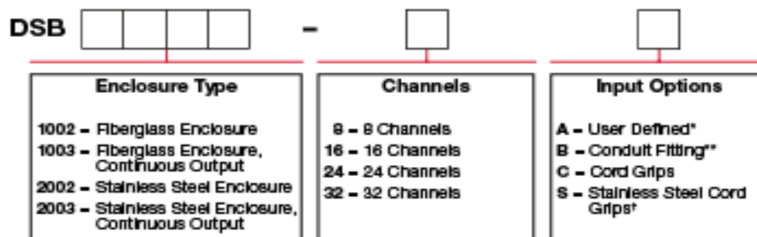
- ▶ Provides a switched output from up to 32 remotely installed dual output sensors to a data collector through two BNCs, or 3 Pin MIL spec connector
- ▶ Modules feature external BNC and 2 or 3 Pin connection options to suit your preferred data collector
- ▶ Modular design provides flexible upgrade option



Specifications

Temperature Range	-58°F (-50°C) to 180°F (82°C)
Enclosure Material	Fiberglass
Inputs	Terminal Block, 4 Inputs per Channel (A,B,C,GND)
Outputs	2 BNC Jacks and 3 Pin MIL
Continuous Output	Optional multi-pin connector for interface with on line systems (requires JB931-3A)
Channel Options	8, 16, 24, 32
Rating	NEMA 4X
Door Closure	Snap Latch
Dimensions	16.00 x 17.50 x 8.80 in (406 x 445 x 224 mm)
Resistance	Resistant to Hose Directed Fluid and Corrosion

Ordering Information



*No punch outs are provided in the enclosure for cable entry. User may install any fitting required.
**For use with conduit.

*Stainless steel enclosure only.

Backed by our Unconditional Lifetime Warranty

www.ctconline.com | sales@ctconline.com | 585-924-5900