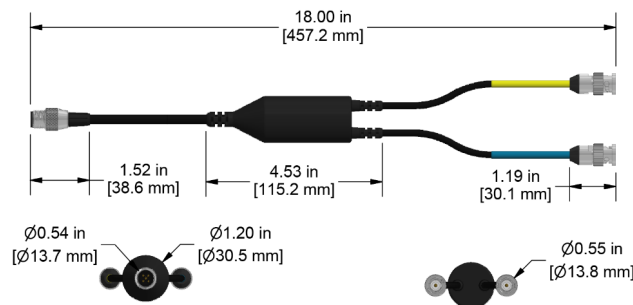


# CMX2253



VIBRATION ANALYSIS HARDWARE

Emerson 2130 Compatible, 5 Pin Molded M12 Connector to Dual BNC "F" Jacks, 17" (43 cm) Overall Length, Channel "A" Yellow, Channel "B" Blue, Dual Channel Acceleration Input



## Specification

Jacket Material	Black polyurethane
Cable Length	17" (43 cm) ±1" (2.5 cm)
Connectors	5 Pin Molded M12, Two BNC "F" plugs Wired for Channel A (yellow) and Channel B (blue)
Input	Acceleration input only
Cable Diameter	0.250" OD
Conductor Cable	4 conductor

## Compatible Data Collectors

CSI 2130 only

Built to Order

Backed by our Unconditional Lifetime Warranty

[www.ctconline.com](http://www.ctconline.com) | [sales@ctconline.com](mailto:sales@ctconline.com) | 585-924-5900