

TSB2000



VIBRATION ANALYSIS HARDWARE

Triaxial Input & Output Modular Vibration Switch Box, Stainless Steel Enclosure, NEMA 4X (IP66) Rated, Includes TSB-MOD4 Switch Module for 1-4 Triaxial Sensor Inputs

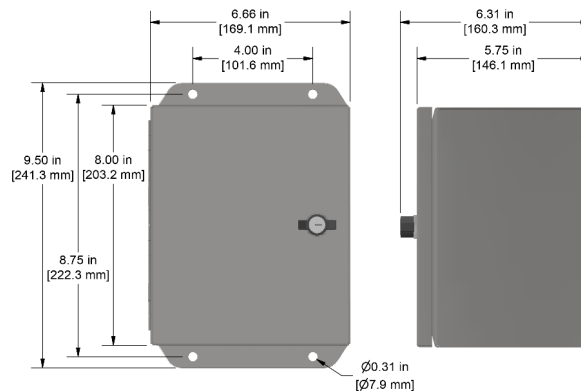


Product Features

Provides a switched output from remotely installed triaxial sensors to a data collector through 3 BNC jacks and 4 Pin connector

Internally earth grounded for noise reduction

- ▶ Access up to 4 Triaxial Sensors (12 Measurement Channels)
- ▶ Option for Continuous Monitoring Available
- ▶ Quick-release input terminal blocks



Specifications

Temperature Range	-58°F (-50°C) to 180°F(82°C)
Enclosure Material	Stainless Steel
Inputs	5 Terminations per Triaxial Sensor (X, Y, Z, COM, GND)
Outputs	3 x BNC Jacks and 1 x 4 Pin Connector
Continuous Output	Optional T Plug
Channel Options	12
Rating	NEMA 4X (IP66)
Door Closure	Twist Lock
Dimensions	6.66 x 9.50 x 6.31 in (169 x 241 x 160 mm)
Cord Grips	Optional
Resistance	Resistant to Hose Directed Fluid and Corrosion

Ordering Information

Enclosure Type	Number of Channels	4 Pin Connector Compatibility	Input Options	Output Options
1000 - Fiberglass enclosure 2000 - Stainless steel enclosure 1001 - Fiberglass enclosure, with continuous output option 2001 - Stainless Steel Enclosure, with continuous output option	04 - 4 triaxial sensors (12 channels)	J4 - J4X Series connector compatible G4 - G4X Series connector compatible D4 - Azima DLI connector compatible M4 - M4X Series connector compatible	A - User defined* B - Conduit fitting** C - Cord Grips S - Stainless steel cord grip†	A - None B - 1 in. conduit fitting

*No punch outs are provided in the enclosure for cable entry. User may install any fitting required.
 **For use with rigid body conduit.
 †Stainless Steel enclosure only.

Backed by our Unconditional Lifetime Warranty

www.ctconline.com | sales@ctconline.com | 585-924-5900