

SB102 Standard Size



VIBRATION ANALYSIS HARDWARE

Single Axis Vibration Switch Box, Fiberglass Enclosure, NEMA 4X (IP66) Rated, Sensor Input Options: 4 to 12 Single Output Sensor Inputs

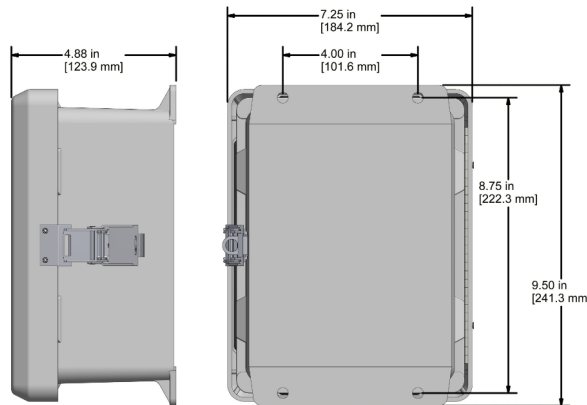


Product Features

Provides a switched output from remotely installed sensors to a data collector through a BNC and a 2 Pin MIL spec connector

Internally earth grounded for noise reduction

- ▶ Accepts inputs from up to 12 Single Axis Sensors
- ▶ Quick-release input terminal blocks for easy field wiring.
- ▶ Built-in online expansion jacks included. Purchase with JB905-1A or JB905-2A Twelve Position Plugs to utilize this feature. Please note, 1 plug is required per 6 channels.



Specifications

Temperature Range	-58°F (-50°C) to 180°F (82°C)
Enclosure Material	Fiberglass
Inputs	Terminal Block, 3 Inputs per Channel (+, -, Shield)
Outputs	BNC Jack and 2 Pin MIL
Continuous Output	Multi-Pin connector for interface with online systems (requires JB905-1A/2A)
Channel Options	4, 6, 8, 10, 12
Rating	NEMA 4X (IP66)
Door Closure	Snap Latch
Dimensions	7.25 x 9.50 x 4.88 in (184 x 241 x 124 mm)
Cord Grips	Optional
Resistance	Resistant to Hose Directed Fluid and Corrosion

Ordering Information

SB -

Enclosure Type	Number of Channels	Input Options
102 - Fiberglass Enclosure	4 - 4 Channels	A - User Defined Entry With Spring Cage Terminal Blocks*
202 - Stainless Steel Enclosure	6 - 6 Channels	B - Conduit Fitting Cable Entry With Spring Cage Terminal Blocks**
	8 - 8 Channels	C - Cord Grip Cable Entry With Spring Cage Terminal Blocks
	10 - 10 Channels	E - BNC Cable Connection With Spring Cage Terminal Blocks
	12 - 12 Channel	S - Stainless Steel Cord Grip Entry With Spring Cage Terminal Blocks*
		G - User Defined Entry With Screw Terminal Blocks*
		H - Conduit Fitting Cable Entry With Screw Terminal Blocks**
		I - Cord Grip Cable Entry With Screw Terminal Blocks
		J - BNC Cable Connection With Screw Terminal Blocks
		K - Stainless Steel Cord Grip Entry With Screw Terminal Blocks*

Backed by our unconditional Lifetime Warranty

www.ctconline.com | sales@ctconline.com | 585-924-5900