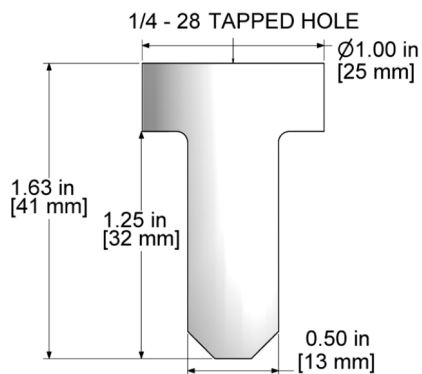


# MH118-1A



Motor Fin Mount Probe Pad, 0.5" x 1.25" (12.7 mm x 31.75 mm) Probe Tip

VIBRATION ANALYSIS HARDWARE



## Product Features

Mounts conveniently between motor cooling fans with use of adhesive

- ▶ Attracts magnetic bases for portable measurements
- ▶ Epoxy Catch side textures
- ▶ Permanently installed with adhesive

## Specifications

|                   |                              |
|-------------------|------------------------------|
| Case Material     | 17-4 Stainless Steel         |
| Sensor Mounting   | 1/4-28 Tapped Hole           |
| Field Mounting    | Epoxy (Sold Separately)      |
| Recommended Epoxy | CTC MH109-2A Sold Separately |
| Protective Cover  | CTC CP101-2A Red Cap Cover   |

## Chemical Compatibilities for Reference

- ▶ Gasoline - A
- ▶ Methanol - A
- ▶ Lubricants - A

## Compatibility

- ▶ Compatible with all sensors with 1/4-28 mounting stud or bolt
- ▶ Conversion mounting studs sold separately

Backed by our Unconditional Lifetime Warranty

Stock Product