

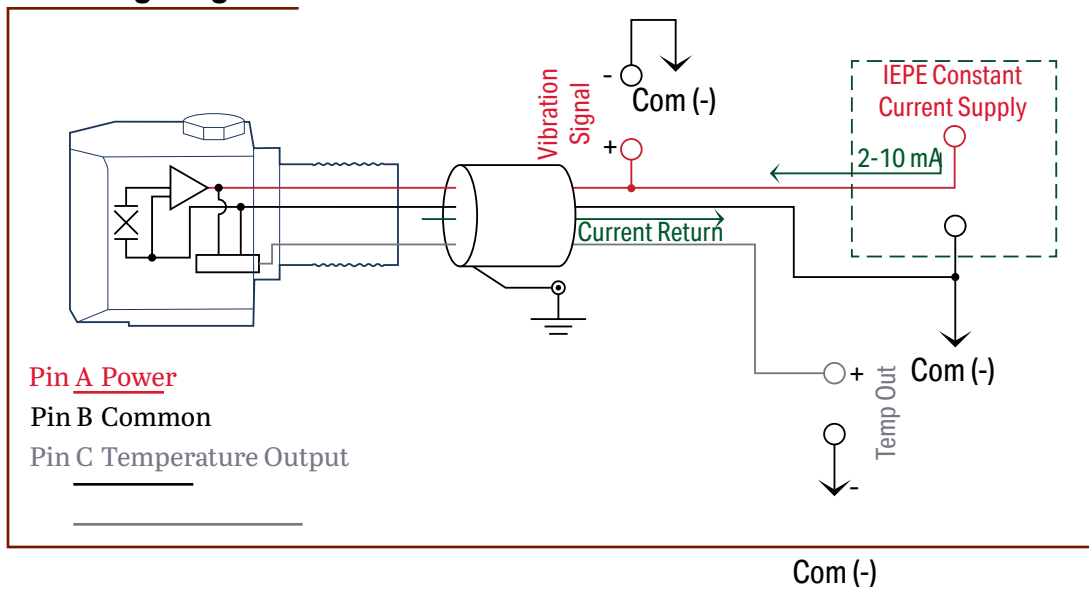
Temperature Sensors (Celsius)

TA202, TA204, TA217, TA218, TA231, TA233, TA234, TA235, TA284

Applicable Sensors



Wiring Diagram



Temperature Sensors (Celsius)

TA202, TA204, TA217, TA218, TA231, TA233, TA234, TA235, TA284

Key Details

IEPE Open Circuit Voltage = 18 to 30 VDC

IEPE Constant Current = 2 to 10 mA

Temp out is a voltage output referenced to COM (-)