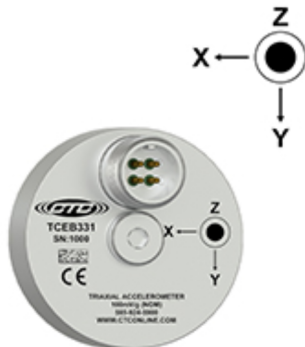


TCEB331 Series

Premium Miniature Industrial Circular Triaxial Accelerometer, Top Exit 4 Pin Mini-MIL Connector, 100 mV/g, ±5%



VIBRATION ANALYSIS HARDWARE



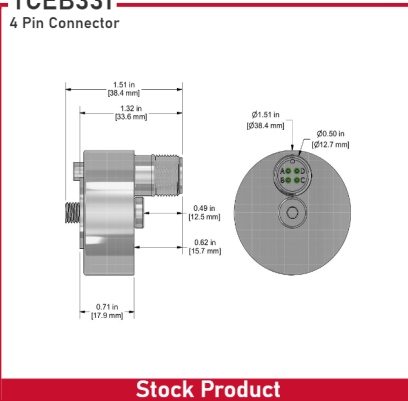
Product Features

Cartesian Coordinate Phase Configuration

100 mV/g, ±5% sensitivity tolerance

- ▶ Low Profile Top Exit Case
- ▶ Uses J4A, J4C, or J4N Connectors and CB105, CB117, CB119, or CB218 Cables

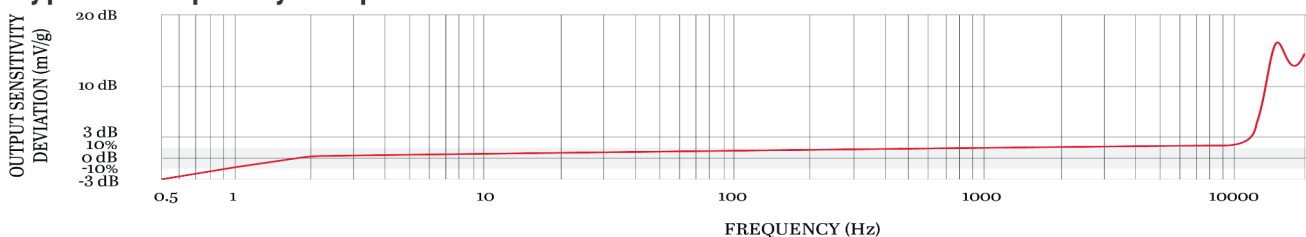
TCEB331
4 Pin Connector



Stock Product

Specifications	Standard	Metric	Specifications	Standard	Metric
Part Number	TCEB331	TCEB341	<u>Environmental</u>		
Sensitivity (±5%)		100 mV/g	Temperature Range	-65 to 250°F	-54 to 121°C
Frequency Response (±3dB)	120 to 720,000 CPM	2 Hz to 12 kHz	Maximum Shock Protection		10,000 g, peak
Frequency Response (±10%)	240 to 600,000 CPM	4 Hz to 10 kHz	Electromagnetic Sensitivity		CE
Dynamic Range		50 g	Sealing		Welded, Hermetic
<u>Electrical</u>			SIL Rating		SIL 2
Settling Time	<2.5 Seconds		<u>Physical</u>		
Voltage Source (IEPE)	18-30 VDC		Sensing Element		PZT Ceramic
Constant Current Excitation	2-10 mA		Sensing Structure		Shear Mode
Spectral Noise @ 10 Hz	30 µg/√Hz		Weight	4.8 oz	136 grams
Spectral Noise @ 100 Hz	4 µg/√Hz		Case Material		316L Stainless Steel
Spectral Noise @ 1000 Hz	2 µg/√Hz		Mounting		1/4-28
Output Impedance	<100 ohm		Connector (Non-Integral)		4 Pin Mini-MIL
Bias Output Voltage	10-14 VDC		Resonant Frequency	1,020,000 CPM (± 12,000 CPM)	17 kHz (±2kHz)
Case Isolation	>10 ⁹ ohm		Mounting Torque	1 to 2 ft. lbs.	1,4 to 2,7 Nm
			Mounting Hardware	1/4-28 Captive Bolt	M6x1 Captive Bolt
			Calibration Certificate		CA10

Typical Frequency Response



Backed by our Unconditional Lifetime Warranty

www.ctconline.com | sales@ctconline.com | 585-924-5900