

LP952-XXX-5XC Series



VIBRATION ANALYSIS HARDWARE

Intrinsically Safe IEC Certified (IECEX) Loop Power Sensor, 4-20 mA Output Proportional to Vibration in Acceleration, Top Exit with Flying Leads



Product Features

Continuous Monitoring in Hazardous Locations

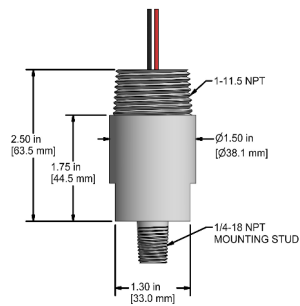
Acceleration 4-20 mA output for Applications in Hazardous Locations

- ▶ With 1 inch NPT fitting
- ▶ Requires Energy Limiting Barriers
- ▶ IECEX Certification

LP952-XXX-51C

1/4 Inch NPT Mount

Conductor	Polarity
Red	(+) Loop Power mA Output
Black	(-) Common

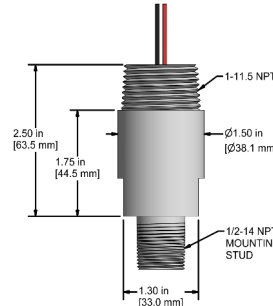


Built To Order

LP952-XXX-52C

1/2 Inch NPT Mount

Conductor	Polarity
Red	(+) Loop Power mA Output
Black	(-) Common



Built To Order

Specifications	Standard	Metric	Specifications	Standard	Metric
Tolerance: 4 mA		(± 10%)	Physical		
Tolerance: 20 mA		(± 10%)	Sensing Element		PZT Ceramic
Electrical			Sensing Structure		Shear Mode
Settling Time	<60 Seconds		Weight	12 oz	340 grams
Voltage Source (IEPE)	12-28 VDC		Mounting		1/4 NPT (LP952-51C) 1/2 NPT (LP952-52C)
Case Isolation	>10 ⁸ ohm		Connector (Non-Integral)		Flying Leads
Environmental			Mounting Torque	2 to 5 ft. lbs.	2,7 to 6,8 Nm
Temperature Range	-40 to 176°F	-40 to 80°C	Calibration Certificate		Current Output @ 100 Hz
Electromagnetic Sensitivity		CE			
Sealing		Welded, Hermetic			

Backed by our Unconditional Lifetime Warranty

www.ctconline.com | sales@ctconline.com | 585-924-5900