

LP302-M12E Series

Loop Power Sensor, 4-20 mA Output Proportional to Vibration in Acceleration, Top Exit 4 Pin M12 Connector



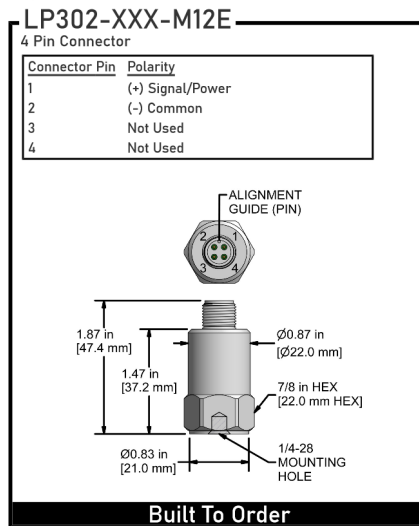
VIBRATION ANALYSIS HARDWARE



Product Features

Continuously Monitor & Protect Important Machinery

- ▶ Peak and RMS Outputs Available
- ▶ Vibrational Alarms for Process Control
- ▶ Outputs to PLC, DCS, SCADA



Specifications	Standard	Metric	Specifications	Standard	Metric
Part Number	LP302-M12E	M/LP302-M12E	Physical		
Tolerance: 4 mA		(± 10%)	Sensing Element	PZT Ceramic	
Tolerance: 20 mA		(± 10%)	Sensing Structure	Shear Mode	
Electrical			Weight	2.9 oz	82 grams
Settling Time	<30 Seconds		Case Material	316L Stainless Steel	
Voltage Source (IEPE)	15-30 VDC		Mounting	1/4-28	
Case Isolation	>10 ⁹ ohm		Connector (Non-Integral)	4 Pin M12	
Environmental			Mounting Torque	2 to 5 ft. lbs.	2,7 to 6,8 Nm
Temperature Range	-40 to 212°F	-40 to 100°C	Mounting Hardware	1/4-28 Stud	M6x1 Adapter Stud
Electromagnetic Sensitivity	CE		Calibration Certificate	Current Output @ 100 Hz	
Sealing	Welded, Hermetic				

Ordering Information

Ordering Format: /LP302 - - / /

Stud Type	Measurement Range	Type	Frequency Range ±3dB	Style	Integral Options													
Blank = 1/4-28 M = M6x1	00 = 0-1 g 02 = 0-2 g 05 = 0-5 g 10 = 0-10 g 20 = 0-20 g	P = Peak R = RMS	1 = 600-60000 CPM (10-1000 Hz) 2 = 180-150000 CPM (3-2500 Hz) 3 = 180-60000 CPM (3-1000 Hz) 4 = 180-300000 CPM (3-5000 Hz) 5 = 180-600000 CPM (3-10000 Hz)	1E = 2 Pin MIL C-5015 2E = Molded Integral Cable 3E = Armor Jacketed Integral Cable M12E = 4 Pin M12	<table border="1"> <thead> <tr> <th>Armor Length (Integral)</th> <th>Cable Length (Integral)</th> </tr> </thead> <tbody> <tr> <td>010 = 10 ft/3 m</td> <td>010 = 10 ft/3 m</td> </tr> <tr> <td>020 = 20 ft/6 m</td> <td>020 = 20 ft/6 m</td> </tr> <tr> <td>030 = 30 ft/9 m</td> <td>030 = 30 ft/9 m</td> </tr> <tr> <td>050 = 50 ft/15 m</td> <td>050 = 50 ft/15 m</td> </tr> <tr> <td>100 = 100 ft/30 m</td> <td>100 = 100 ft/30 m</td> </tr> </tbody> </table>		Armor Length (Integral)	Cable Length (Integral)	010 = 10 ft/3 m	010 = 10 ft/3 m	020 = 20 ft/6 m	020 = 20 ft/6 m	030 = 30 ft/9 m	030 = 30 ft/9 m	050 = 50 ft/15 m	050 = 50 ft/15 m	100 = 100 ft/30 m	100 = 100 ft/30 m
Armor Length (Integral)	Cable Length (Integral)																	
010 = 10 ft/3 m	010 = 10 ft/3 m																	
020 = 20 ft/6 m	020 = 20 ft/6 m																	
030 = 30 ft/9 m	030 = 30 ft/9 m																	
050 = 50 ft/15 m	050 = 50 ft/15 m																	
100 = 100 ft/30 m	100 = 100 ft/30 m																	

*Custom Lengths Available Upon Request

Backed by our Unconditional Lifetime Warranty

www.ctconline.com | sales@ctconline.com | 585-924-5900