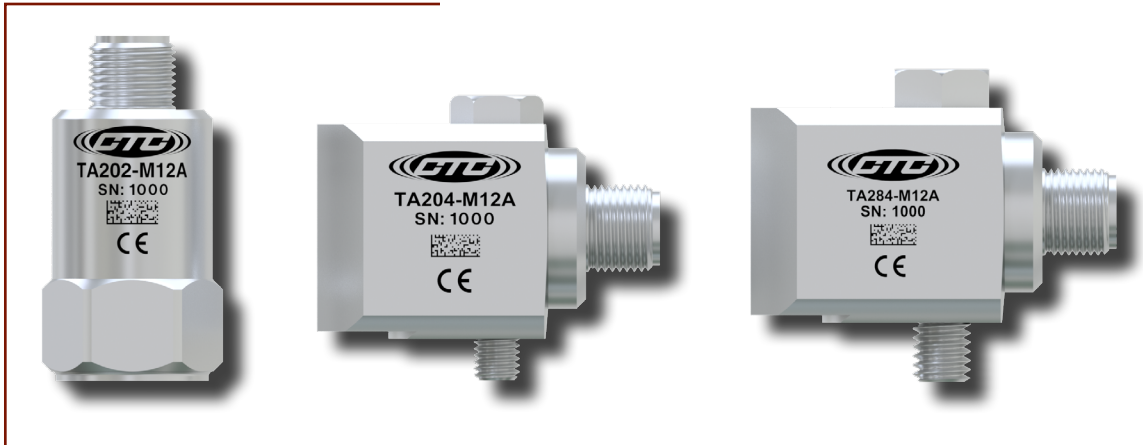


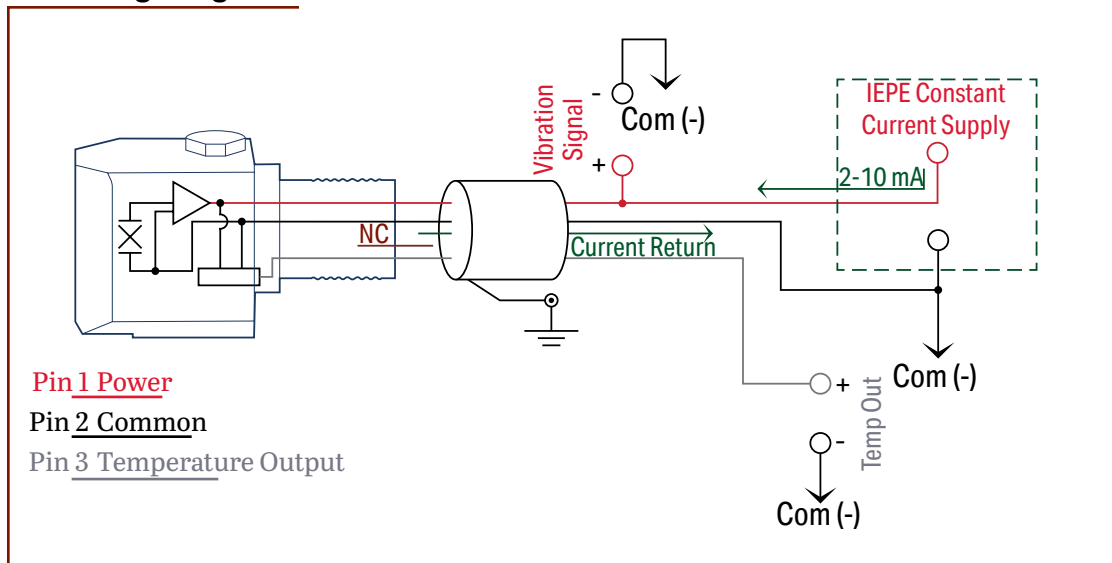
M12 Temperature Sensors (Celsius)

TA202, TA204, TA284

Applicable Sensors



Wiring Diagram



Key Details

IEPE Open Circuit Voltage = 18 to 30 VDC
IEPE Constant Current = 2 to 10 mA
Temp out is a voltage output referenced to COM (-)