

# LP822-XXX-5XC Series



VIBRATION ANALYSIS HARDWARE

Class I, Division 2 (ATEX Zone 2) Loop Power Sensor, 4-20 mA Output Proportional to Vibration in Velocity, Top Exit with Flying Leads



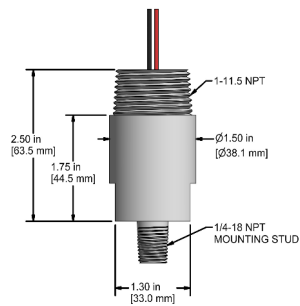
## Product Features

- Continuous Monitoring in Hazardous Locations
- Velocity 4-20 mA Output for Applications in Hazardous Locations
- ▶ With 1 inch NPT fitting
- ▶ Non-Arcing, Non-Sparking Sensor for Class I, Division 2
- ▶ Enables Vibration Alarms for Process Control

### LP822-XXX-51C

1/4 inch NPT Mount

Conductor	Polarity
Red	(+) Loop Power mA Output
Black	(-) Common

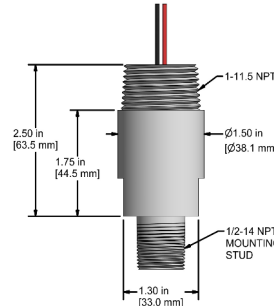


Built To Order

### LP822-XXX-52C

1/2 inch NPT Mount

Conductor	Polarity
Red	(+) Loop Power mA Output
Black	(-) Common



Built To Order

Specifications	Standard	Metric	Specifications	Standard	Metric
Tolerance: 4 mA		(± 10%)	<u>Physical</u>		
Tolerance: 20 mA		(± 10%)	Sensing Element		PZT Ceramic
<u>Electrical</u>			Sensing Structure		Shear Mode
Settling Time	<60 Seconds		Weight	12 oz	340 g
Voltage Source (IEPE)	12-28 VDC		Case Material		316L Stainless Steel
Case Isolation	>10 <sup>8</sup> ohm		Mounting		1/4 NPT (LP822-51C) 1/2 NPT (LP822-52C)
<u>Environmental</u>			Connector (Non-Integral)		Flying Leads
Temperature Range	-40 to 176°F	-40 to 80°C	Mounting Torque	2 to 5 ft. lbs.	2,7 to 6,8 Nm
Electromagnetic Sensitivity		CE	Calibration Certificate		Current Output @ 100 Hz
Sealing		Welded, Hermetic			

Backed by our Unconditional Lifetime Warranty

[www.ctconline.com](http://www.ctconline.com) | [sales@ctconline.com](mailto:sales@ctconline.com) | 585-924-5900