

AC166 Series

Inverse Voltage Accelerometer, Side Exit 3 Pin Connector, 100 mV/g, $\pm 5\%$



VIBRATION ANALYSIS HARDWARE



Product Features

Comparable to Bently™ 330400

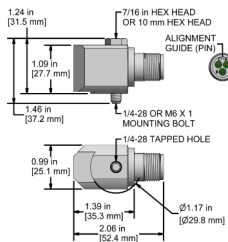
3 Wire Negative Voltage Sensor

- ▶ 100 mV/g Nominal Sensitivity
- ▶ $\pm 5\%$ Sensitivity Tolerance
- ▶ ± 80 g, Peak Dynamic Range

AC166-1A

3 Pin Connector

Connector Pin	Polarity
A	(+) Signal
B	(-) Power-Negative
C	(+) Common/Power

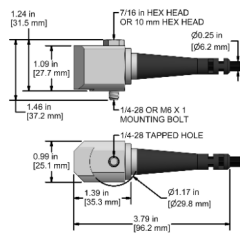


Stock Product

AC166-2C

CB105 Integral Cable

Conductor	Polarity
Red	(+) Signal
Black	(-) Common
White	(+) Common/Power
Shield	Cable Drain Wire

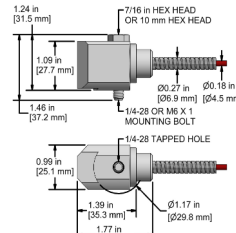


Built To Order

AC166-3C

CB218 Armored Integral Cable

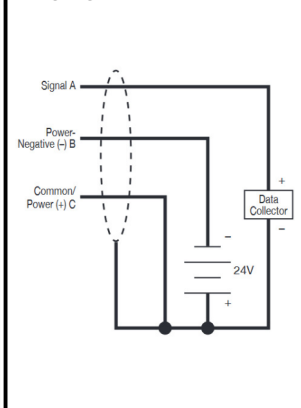
Conductor	Polarity
Red	(+) Signal
Black	(-) Common
White	(+) Common/Power
Shield	Cable Drain Wire



Built To Order

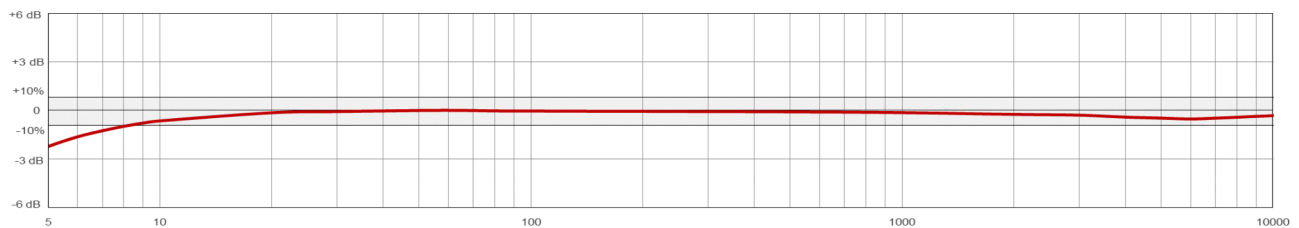
AC166

Wiring Diagram



Specifications	Standard	Metric	Specifications	Standard	Metric
Part Number	AC166	M/AC166	Environmental		
Sensitivity ($\pm 5\%$)		100 mV/g	Temperature Range	-58 to 250°F	-50 to 121°C
Frequency Response (± 3 dB)	300-600,000 CPM	5-10000 Hz	Maximum Shock Protection		5,000 g, peak
Frequency Response ($\pm 10\%$)	600-180,000 CPM	10-3000 Hz	Sealing		Welded, Hermetic
Dynamic Range		± 80 g, peak	Physical		
Electrical			Sensing Element		PZT Ceramic
Settling Time		<2 Seconds	Sensing Structure		Shear Mode
Voltage Source (IEPE)		-20 to -28 VDC	Weight	5.1 oz	145 grams
Constant Current Excitation		<1 mA	Case Material		316 Stainless Steel
Broadband Noise Floor (10 to 15k Hz)		.002 g RMS	Mounting		1/4-28
Output Impedance		<5 ohm	Connector (Non-Integral)		3 Pin MIL-C-5015
Bias Output Voltage		-8.5 VDC Nominal	Resonant Frequency	1,320,000 CPM	22000 Hz
Case Isolation		>10 ⁸ ohm	Mounting Torque	2 to 5 ft. lbs.	2,7 to 6,8 Nm
			Mounting Hardware	1/4-28 Captive Bolt	M6x1 Captive Bolt
			Calibration Certificate		CA10

Typical Frequency Response



Backed by our Unconditional Lifetime Warranty

www.ctconline.com | sales@ctconline.com | 585-924-5900